



The VISIONIS VIS-8004 RF wireless Receiver was built to feed the demand for a device that can meet multiple functions without having to purchase additional devices. The VIS-8004 RF receiver can be used to control all sorts of Electrical devices such as Garage door Openers, Lights, Motorized gates, Mag locks, Electric Strikes, lifts and many more devices.

Model No.	VIS-8004
Operating Frequency	315mhz
Number of Codes	1,048,576
Data Format	PWM
Operating Voltage	+12V 24V
Operating Distance	Up to 320 Feet (100M)
Operating Temperature	0°C-70°C or 32°F - 158°F
Current Draw	19mA
Sensitivity	-100DB
Compatible Transmitter	VIS-8005
RF Channels	One
Remotes	Up to 20 remotes are able to connect to one Receiver
Receiver Output	C dry contact (NO/NC/COM)
Receiver Output Functions	5 (Default) 4 second momentary, 1-sec momentary, toggle, validity, latch
Connectors	5 screw Terminal (NO, COM, NC + -)
Case Construction	ABS Plastic
Dimensions	63mm x 45mm x 30mm (2.4in. x 1.77in. x 1.18in.)
Weight	43g or 1.52 Ounces
Certifications	FCC
Antenna	Wire lead
Mounting Screws	Comes with two mounting screws
Warranty	1 Year



Disclaimer: VISIONIS reserve the right to go ahead with any modifications of models or features or price without forewarning. All the information and specifications stated in this document are current at the time of publication. Attention: We are not responsible for the improper installation of this kit. If you are not handy with electrical equipment you should contact a professional electrician. You will also need to check with your local Fire authority to see if you need anything else to comply with local Fire Codes. We are not responsible for any damage or fees that can occur.



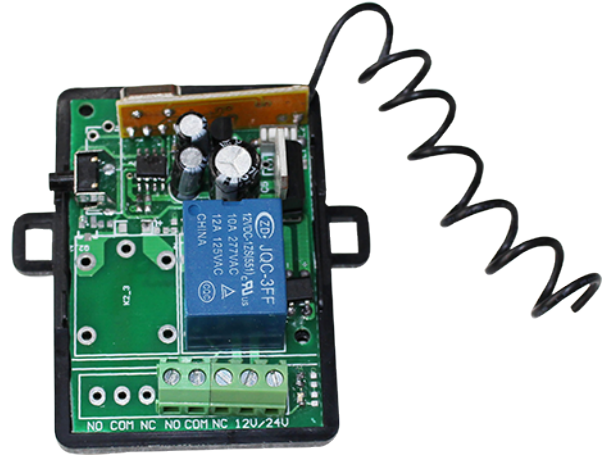
sales@visionistech.com



www.visionistech.com

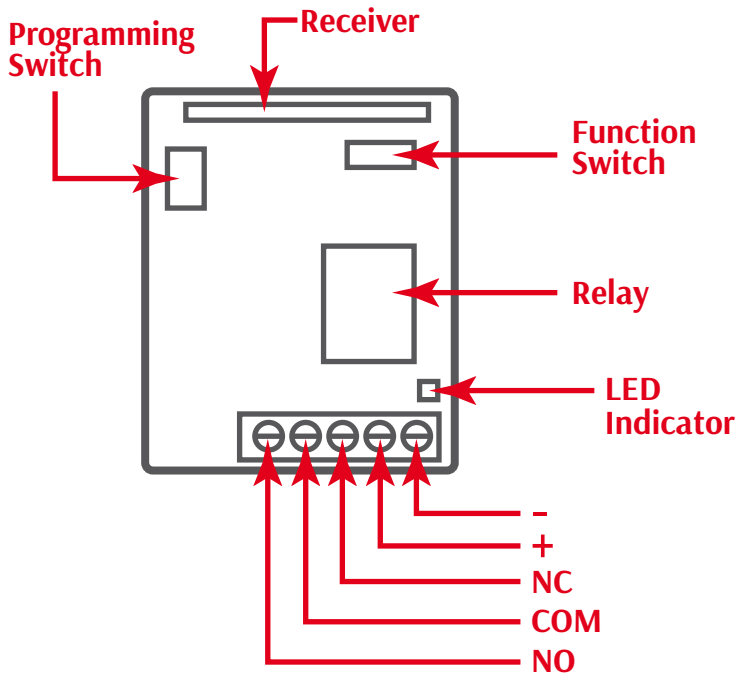


VIS-8004 Rear View



VIS-8004 Board

Connections



Disclaimer: VISIONIS reserve the right to go ahead with any modifications of models or features or price without forewarning. All the information and specifications stated in this document are current at the time of publication. Attention: We are not responsible for the improper installation of this kit. If you are not handy with electrical equipment you should contact a professional electrician. You will also need to check with your local Fire authority to see if you need anything else to comply with local Fire Codes. We are not responsible for any damage or fees that can occur.



sales@visionistech.com



www.visionistech.com