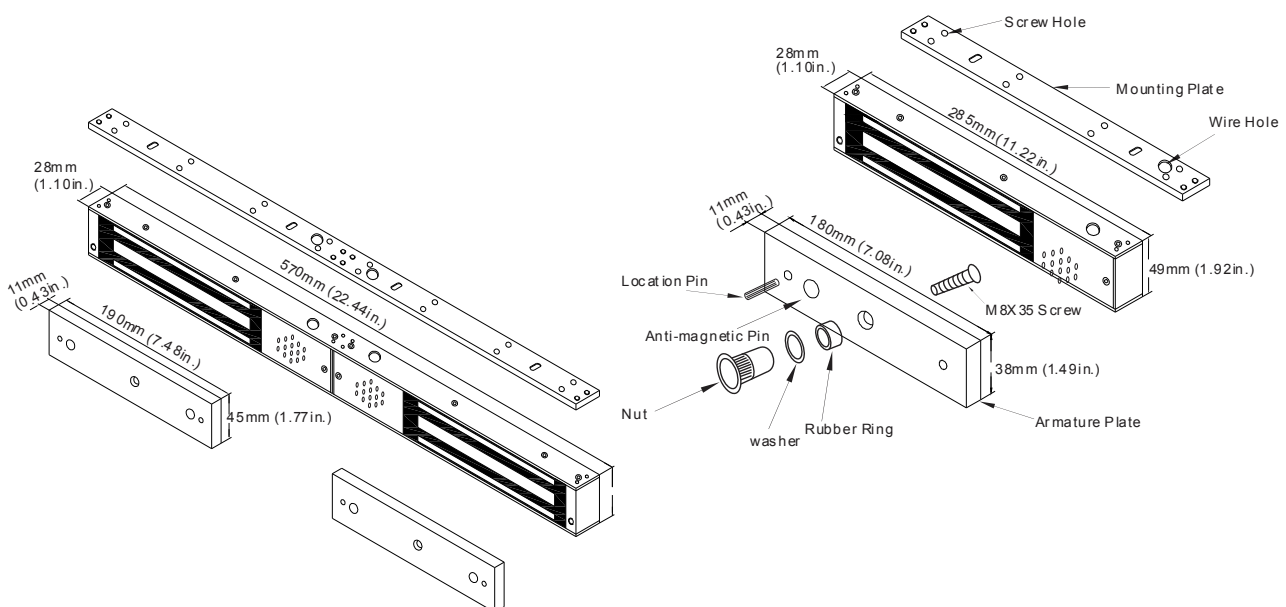


800LBS MAGNETIC LOCK INSTRUCTION



Specifications

Size	285Lx55Wx27.5H(mm) / 11.22Lx2.17Wx1.09H (in.)
Armature Plate	190Lx45Wx11H(mm) / 7.48Lx1.77Wx0.43H (in.)
Current	12V/480mA;24V/240mA
Holding Force	350 kg (800Lbs)
Signal Output	NO/NC/COM
Buzzer	5/10/20/30sec
LED	Red indicates the door is unlock; Green indicates the door is lock
Finishes for Shell	Anodized aluminum
Feature	Fail Safe (Locked when energized)
Suitable for	Wooden door, Glass door, Metal door, Fireproof door
Weight	2.7kg (5.95 pounds)



Disclaimer: VISIONIS reserve the right to go ahead with any modifications of models or features or price without forewarning. All the information and specifications stated in this document are current at the time of publication. Attention: We are not responsible for the improper installation of this kit. If you are not handy with electrical equipment you should contact a professional electrician. You will also need to check with your local Fire authority to see if you need anything else to comply with local Fire Codes. We are not responsible for any damage or fees that can occur.



sales@visionistech.com



www.visionistech.com

Remark:

A: Please don't fix the screw (screw of armature plate) tightly, let the rubber ring maintain proper elasticity.

B: Please check the jumper position, to know voltage is 12VDC or 24VDC.

WIRING INSTRUCTIONS

A. 12VDC Input:

- Required power 0.48 Amp (Minimum).
- Connect the positive (+) lead from a 12VDC power source to V +.
- Connect the ground (-) lead from a 12VDC power source to V -.
- Check jumper for 12VDC operation.

B. 24VDC Input:

- Required power 0.24 Amp (Minimum).
- Connect the positive (+) lead from a 24VDC power source to V+.
- Connect the ground (-) lead from a 24VDC power source to V-.
- Check jumper for 24VDC operation.

C. Contacts

Relay dry contacts are rated 1 Amp at 24VDC for safe operation, do not exceed this rating. If you require a normally open switch, connect the wires from the system to COM and NO. If you require a normally closed switch, connect the wires from the system to COM and NC.

Important!

If power switch is not wired between DC source voltage and magnet, it will take a longer time to de-energize the magnet simulating residual magnetism. (see below)

PRINTED CIRCUIT BOARD SCHEMATIC

