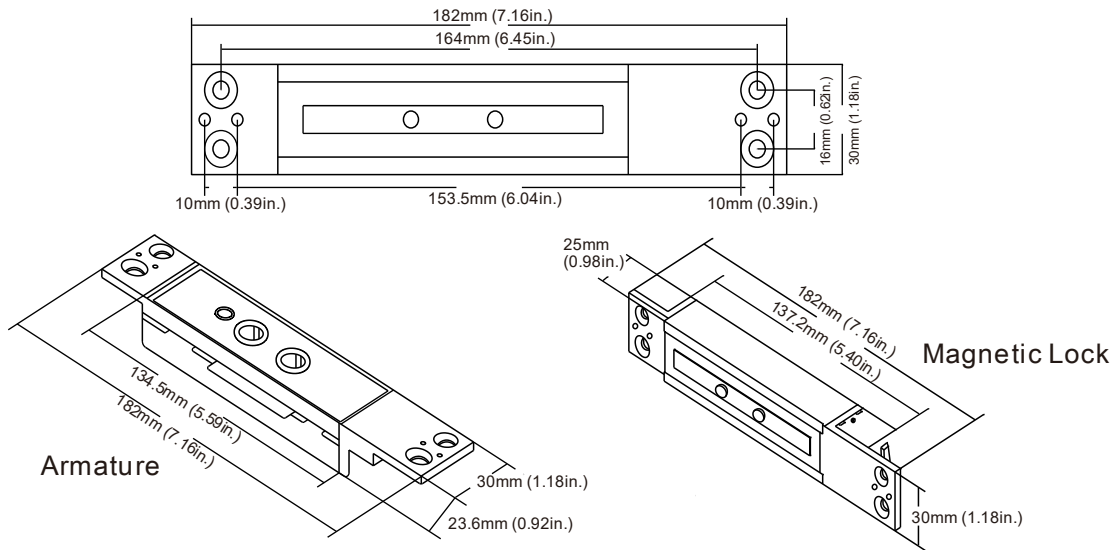


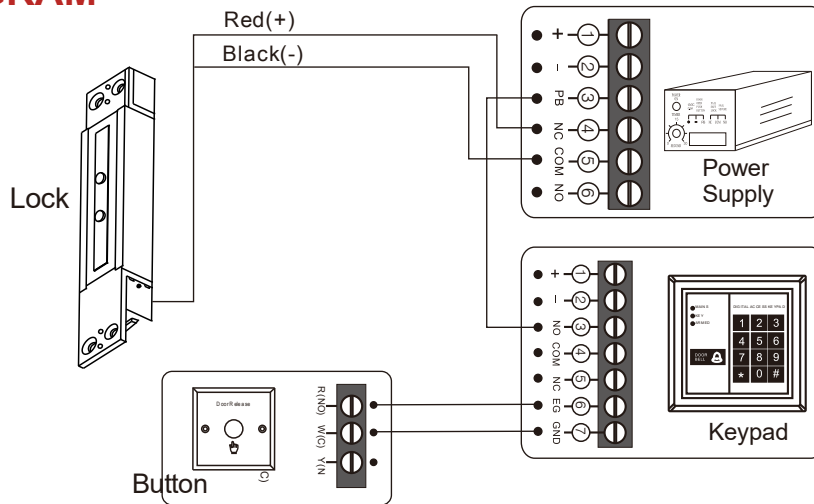


Model Color	9 PIN Connection		
<b>Red</b>	DC 12V	<b>Black</b>	GND
<b>Purple</b>	Purple wire of the light	<b>Orange</b>	Orange wire of the light
<b>Green</b>	Door Positions Sensor NO	⊗	Dangling
<b>Brown</b>	Lock Positions Sensor NC	<b>Blue</b>	Lock Status Sensor NO
<b>Gary</b>	Lock Positions Sensor COM	<b>White</b>	Door Status Sensor COM
<b>Delay Time</b>			
	0S	5S	10S

**DIMENSION**



**WIRING DIAGRAM**



**Disclaimer:** VISIONIS reserve the right to go ahead with any modifications of models or features or price without forewarning. All the information and specifications stated in this document are current at the time of publication. Attention: We are not responsible for the improper installation of this kit. If you are not handy with electrical equipment you should contact a professional electrician. You will also need to check with your local Fire authority to see if you need anything else to comply with local Fire Codes. We are not responsible for any damage or fees that can occur.



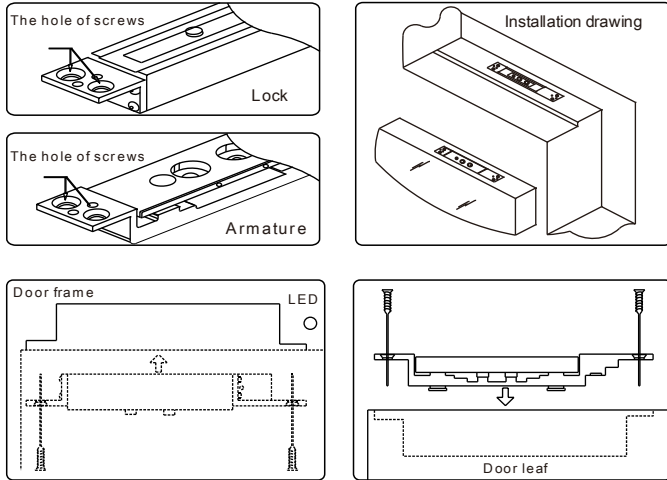
sales@visionistech.com



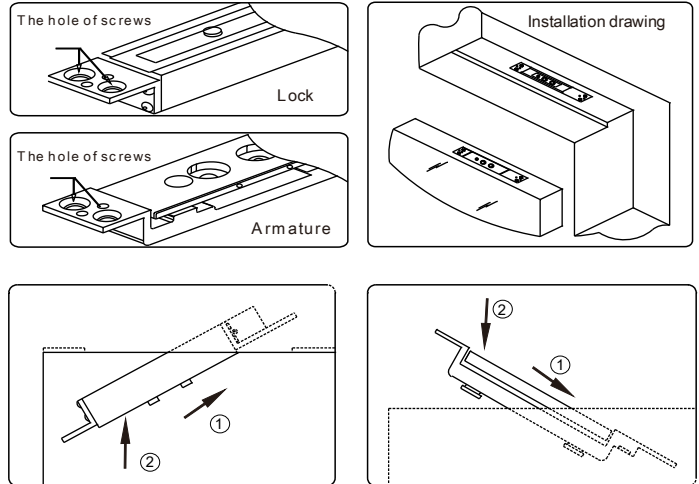
www.visionistech.com

**THE COMMENTARY OF HOLES**

**A: The Solid Door**



**B: The Hollow Door**

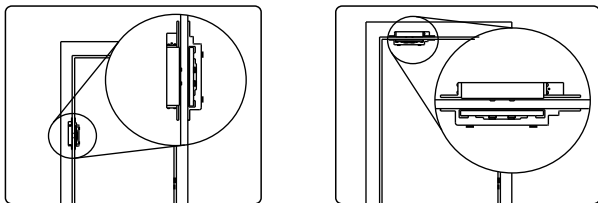


**C: Use The Extended Plate**

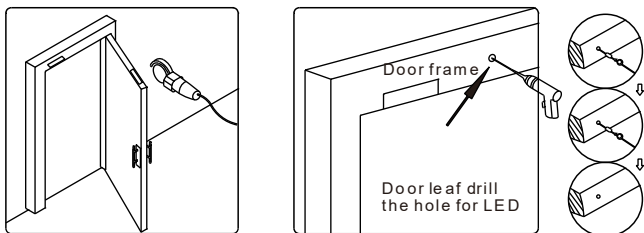


**THE COMMENTARY OF INSTALLATION**

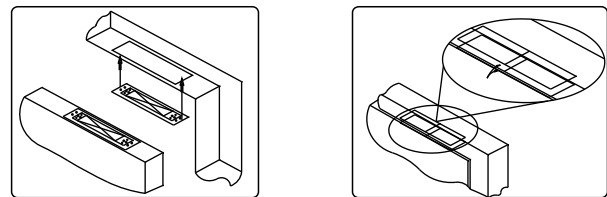
**Step 1: Confirm the position of installation**  
It can be installed upon the door or the side of the door



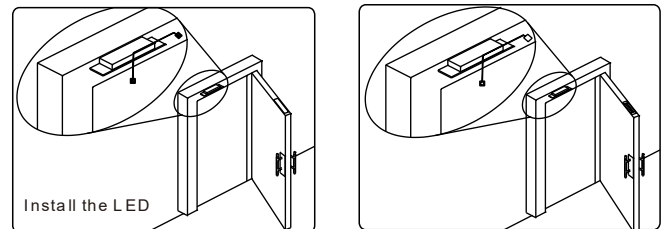
**Step 3: Drill the hole**  
Drill the hole according to the sticker, and drill the hole for the LED on the door frame



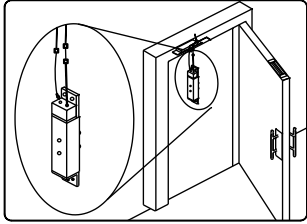
**Step 2: Paste the sticker**  
Note: Adjust the sticker to assure the proper alignment



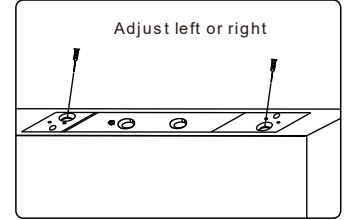
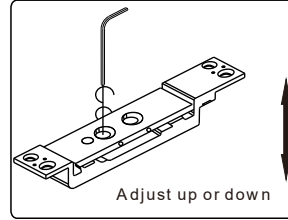
**Step 4: Wiring**  
Install the led on the door frame, and connect the 9 pin



**Step 5: Fix the magnetic lock and armature**  
Connect all the wire to the shear lock body, then adjust the delay time, then fix the magnetic lock and armature



**Step 6: Connect the electricity and adjust**  
Check the operation is correct or not when connecting electricity, please adjust a little the armature when they can't adsorb



**Disclaimer:** VISIONIS reserve the right to go ahead with any modifications of models or features or price without forewarning. All the information and specifications stated in this document are current at the time of publication. Attention: We are not responsible for the improper installation of this kit. If you are not handy with electrical equipment you should contact a professional electrician. You will also need to check with your local Fire authority to see if you need anything else to comply with local Fire Codes. We are not responsible for any damage or fees that can occur.



[sales@visionistech.com](mailto:sales@visionistech.com)



[www.visionistech.com](http://www.visionistech.com)