

**VZ-TVI-D2040VF**  
HD1080P Vari-focal IR Turret Camera



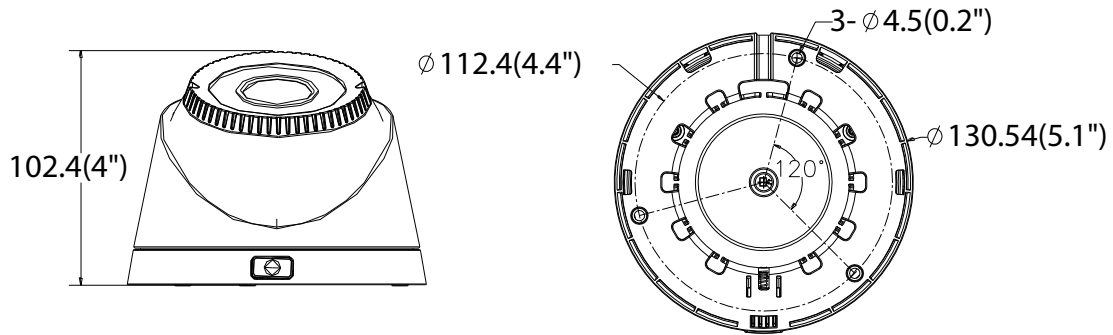
**Key Features**

- 2 Megapixel high-performance CMOS
- Analog HD output, up to 1080P resolution
- 2.8 – 12mm vari-focal lens
- True Day/Night, Smart IR
- Up to 40m IR distance
- IP66 weatherproof
- OSD menu
- Up the Coax

## Specifications

Camera	
Image Sensor	2MP CMOS Image Sensor
Signal System	PAL/NTSC
Effective Pixels	1984(H)*1105(V)
Min. illumination	0.01 Lux @ (F1.2, AGC ON), 0 Lux with IR
Shutter Time	1/25(1/30)s to 1/50,000s
Lens	2.8 - 12 mm @ F1.4 / Angle of view: 105.2° - 32.8°
Lens Mount	φ14
Day & Night	ICR
Angle Adjustment	Pan: 0° - 360°; Tilt: 0° - 75°; Rotate: 0° - 360°
Synchronization	Internal Synchronization
Video Frame Rate	1080p@25fps/1080p@30fps
HD Video Output	1 Analog HD output
S/N Ratio	> 62dB
Menu	
AGC	High/Medium/Low/Off
D/N Mode	Smart IR/Color/BW
White Balance	Auto/Manual
BLC	Support
Language	English
Functions	Digital noise reduction, Mirror
General	
Operating Conditions	-40 °C – 60 °C (-40 °F – 140 °F), Humidity 90% or less (non-condensing)
Power Supply	12 VDC±15%
Power Consumption	Max. 4.5W
Protection Level	IP66
IR Range	Up to 40m
Communication	Up the coax, Protocol: TVI output
Dimensions	Φ130.54 × 102.4mm (Φ5.1" × 4" in.)
Weight	410 g (0.90 lbs)

## Dimensions



Unit: mm

## Accessories



VZ-1273ZJ-130-TRL  
Wall Mounting



VZ-1275ZJ  
Vertical Pole Mounting



VZ-1276ZJ  
Horizontal Pole Mounting



VZ-1280ZJ-S  
Junction Box



VZ-1280ZJ-M  
Junction Box