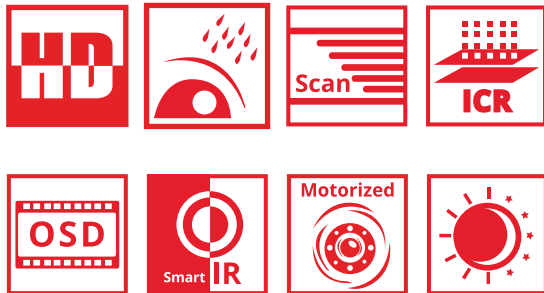


VZ-TVI-B2040VF
HD1080P Vari-focal IR Bullet Camera



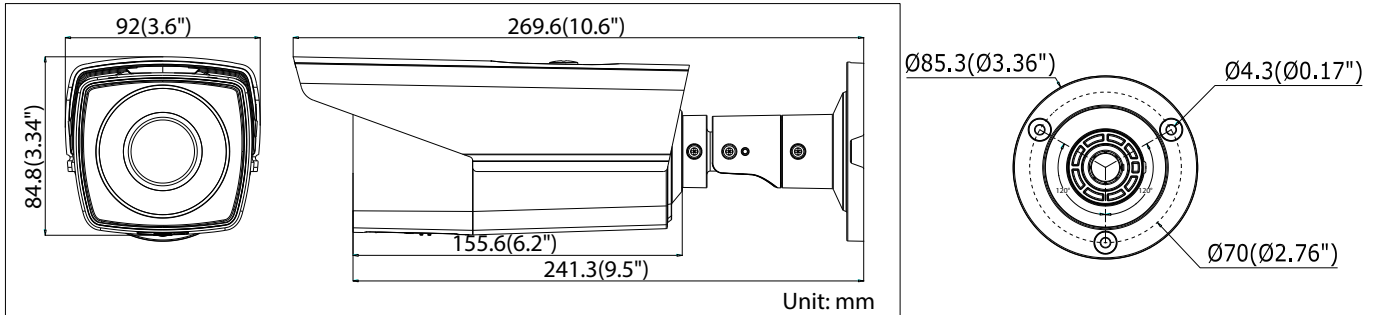
Key Features

- 2 Megapixel high-performance CMOS
- Analog HD output, up to 1080P resolution
- 2.8 – 12mm vari-focal lens
- True Day/Night, Smart IR
- Up to 40m IR distance
- IP66 weatherproof
- OSD menu
- 24V AC/ 12V DC (-A)
- Up the Coax

Specifications

Camera	
Image Sensor	2MP CMOS Image Sensor
Signal System	PAL/NTSC
Effective Pixels	1984(H)*1105(V)
Min. illumination	0.01 Lux @ (F1.2, AGC ON), 0 Lux with IR
Shutter Time	1/25(1/30)s to 1/50,000s
Lens	2.8 - 12 mm @ F1.4 / Angle of view: 105.2° - 32.8°
Lens Mount	φ14
Day & Night	ICR
Angle Adjustment	Pan: 0° - 360°; Tilt: 0° - 90°; Rotate: 0° - 360°
Synchronization	Internal Synchronization
Video Frame Rate	1080p@25fps/1080p@30fps
HD Video Output	1 Analog HD output
S/N Ratio	> 62dB
Menu	
AGC	High/Medium/Low/Off
D/N Mode	Smart IR/Color/BW
White Balance	Auto/Manual
BLC	Support
Language	English
Functions	Digital noise reduction, Mirror
General	
Operating Conditions	-40 °C – 60 °C (-40 °F – 140 °F), Humidity 90% or less (non-condensing)
Power Supply	12 VDC±15%; -A: 12 VDC±15% 24 VAC±15%,
Power Consumption	Max. 5W; -A: Max. 6W
Protection Level	IP66
IR Range	Up to 40m
Communication	Up the coax, Protocol: TVI output
Dimensions	92 × 84.8 × 269.6mm (3.62" × 3.34" × 10.6" in.)
Weight	1000 g

Dimensions



Accessories



VZ-1275ZJ
Vertical Pole Mounting



VZ-1280ZJ-S
Junction Box



VZ-1276ZJ
Horizontal Pole Mounting