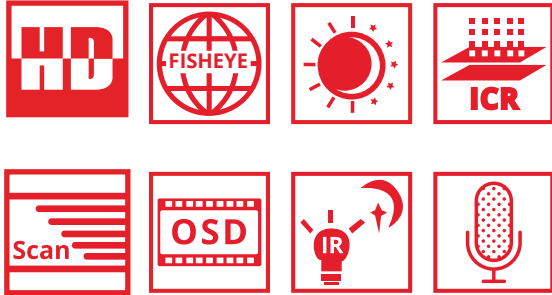


VZ-TVI-5MP360R 5MP IR Fisheye Camera



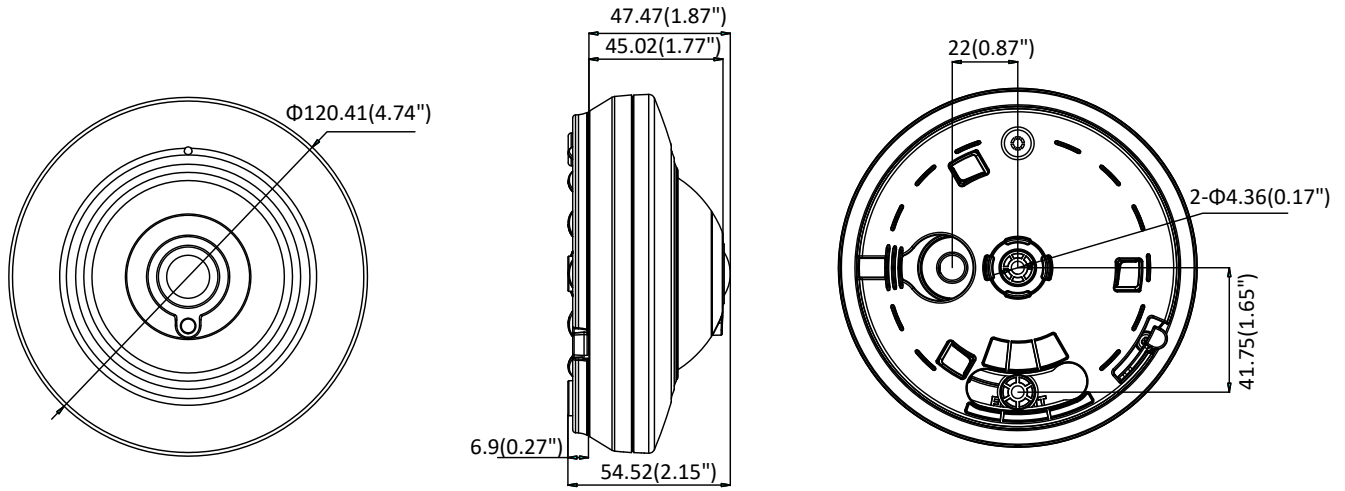
Key Features

- 5 Megapixel high-performance CMOS
- Analog HD output, up to 5MP resolution
- IR cut filter with auto switch
- OSD
- Built -in microphone
- Up the the the coax

Specifications

Camera	
Image Sensor	5 Mega Progressive Scan CMOS
Effective Pixels	2592(H)*1944(V)
Min. illumination	0.01 Lux @ (F1.2,AGC ON), 0 Lux with IR
Shutter Time	1/12.5s to 1/20,000s
Lens	1.1mm
Lens Mount	M12
Day & Night	ICR
Angle Adjustment	Pan: 0° -30°; Tilt: 0°; Rotate: 0°;
Synchronization	Internal Synchronization
WDR	120dB
Video Frame Rate	5M P@12.5fps
HD Video Output	1-ch BNC Output
Audio In	Built-in Mic
Audio Out	1-ch, BNC Output, (Output Impedance: 1KΩ)
Menu	
Mounting Type	Ceiling/Wall
Ceiling Mounting Display Mode	Default, Panorama, 4 PTZ, Fisheye & 3 PTZ, Annular, Mini-fisheye & 1 PTZ, Annular & 2 PTZ
Wall Mounting Display Mode	Default, Panorama, 4 PTZ, Fisheye & 3 PTZ, Panorama & 3 PTZ
D/N Mode	Color/BW/AUTO
Functions	Brightness, contrast, saturation, sharpness
General	
Operating Conditions	-20 °C to 60 °C (-4 °F to 140 °F), Humidity 90% or less (non-condensing)
Power Supply	DC12V±15%
Power Consumption	5.5W MAX
IR Range	10-20m
Communication	Up the coax
Dimensions	Φ120.4mm×54.5mm (Φ4.74"×2.14")
Weight	Approx. 350g (0.77lbs)

Dimensions



Unit: mm

Accessories



VZ-1299ZJ
Pendent Bracket



VZ-1297ZJ
Pendent Bracket



VZ-1294ZJ
Wall Mount Bracket



VZ-1281ZJ-DM27
Inclined Bracket