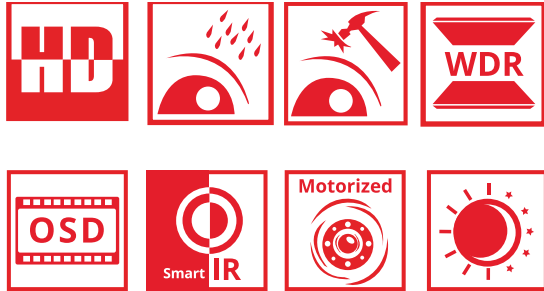


VZ-TVI-D3040MZVF

3MP Motorized VF Proof EXIR Dome Camera



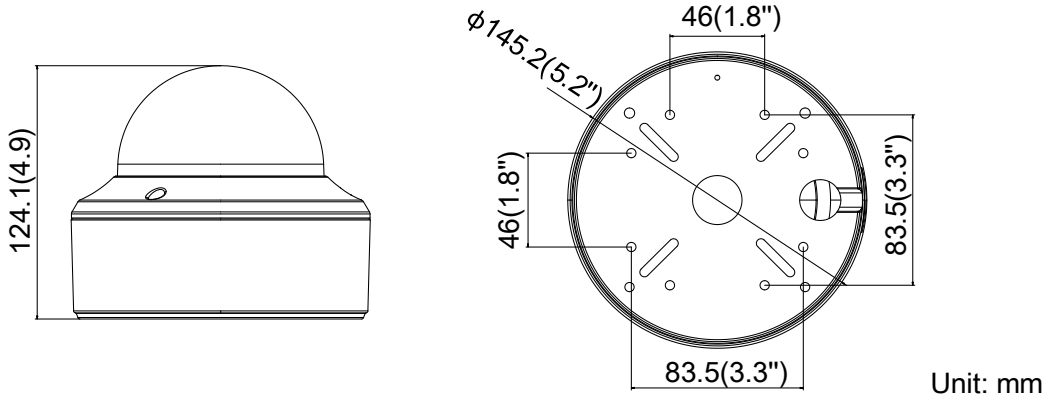
Key Features

- 3 Megapixel high-performance CMOS
- Analog HD output, up to 3MP resolution
- 2.8-12mm motorized vari-focal lens
- True Day/Night
- OSD menu, DNR, Smart IR
- True WDR, up to 120dB
- EXIR technology, up to 40m IR distance
- IP66 weatherproof & vandal proof
- Up the Coax

Specifications

Camera	
Image Sensor	3MP CMOS Image Sensor
Effective Pixels	2052(H)*1536 (V)
Min. illumination	0.01 Lux @ (F1.2, AGC ON), 0 Lux with IR
Shutter Time	1/25s to 1/50,000s
Lens	Motorized VF lens; 2.8 - 12 mm @ F1.2
Lens Mount	φ14
Day & Night	ICR
Angle Adjustment	Pan: 0° - 340°; Tilt:0° - 75°; Rotate: 0° - 355°
Synchronization	Internal Synchronization
WDR	120dB
Video Frame Rate	1920×1536@18fps
HD Video Output	1 Analog HD output
S/N Ratio	>62dB
Menu	
AGC	Support
D/N Mode	Color/BW/SMART
White Balance	ATW/MWB
BLC	Support
Functions	Wide Dynamic Range, Digital noise reduction, Digital zoom(62x), Mirror, Defect pixel correction, SMART IR
General	
Operating Conditions	-40 °C – 60 °C (-40 °F – 140 °F), Humidity 90% or less (non-condensing)
Power Supply	12 VDC±15%; -A: 12 VDC/24 VAC±15%
Power Consumption	Max. 4.5W; -A: Max. 6.5W
Protection Level	IP66
IR Range	Up to 40m
Impact Protection	IK10
Communication	Up the coax, Protocol: TVI output
Dimensions	φ145.2mm×124.1mm (φ5.72"×4.89" in.)
Weight	Approx. 1600g (3.53lb)

Dimensions



Accessories



VZ-1273ZJ-140
Wall Mounting



VZ-1275ZJ
Vertical Pole Mounting



VZ-1276ZJ
Corner Mounting



VZ-1271ZJ-140
Pendant Mounting



VZ-1273ZJ-140B
Wall Mounting



VZ-1241ZJ
In-ceiling Mounting



VZ-1241ZJ
Inclined Ceiling Mounting