

SECO-LARM®

SD-998C-NUQ

Surface-Mount Electric Rim Strike

Manual



Features:

- 12/24 VDC Operating voltage
- Non-polarized connection
- Horizontal adjustment
- 3/4" (19mm) thick metal housing
- Accommodates up to 3/4" Pullman latch
- Reversible non-handed design fits either right-hand or left-handed doors
- Surface-mount installation
- Metal or wood frame installation
- Works with standard rim-type exit devices including SECO-LARM SD-962-AR-36A, SD-962AR-36G, and SD-962AR-36M
- For Indoor Use Only
- Static strength – 1,500 lbs. (680kg)
- Tested for 250,000 cycles (UL Tested)
- Low current draw: 540mA@12VDC, 270mA@ 24VDC
- Field-selectable for fail-safe or fail-secure operation
- The SD-998C-NUQ is intended to be used with UL Listed Exit Hardware
- The SD-998C-NUQ shall not impair the intended operation of an emergency unit
- The SD-998C-NUQ shall not impair the operation of panic hardware mounted on the door

ENFORCER Surface-Mount Electric Rim Strike

Introduction:

The SECO-LARM **SD-998C-NUQ** Surface-Mount Electric Rim Strike is designed with the strength and durability for use with rim exit devices with a $\frac{3}{4}$ " throw Pullman latchbolt. The strike features selectable fail-safe/fail-secure operation and 12/24 VDC operating voltage, horizontal adjustment, and a $\frac{3}{4}$ " (19mm) thick metal housing, eliminating the need for frame cutting during installation.

Parts List:

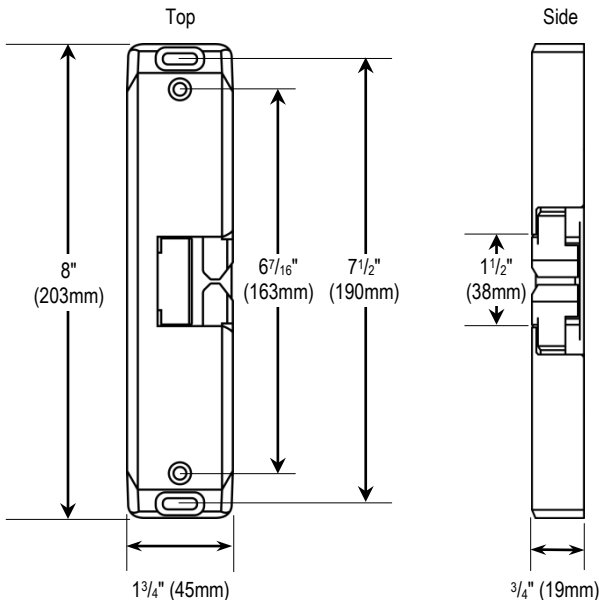
1x Strike	2x Butt splice connectors
1x Blind nut kit	3x Stainless steel mounting tabs
2x Blind nuts	1x 12VDC cable connector
1x Allen wrench (Hex key)	1x 24VDC cable connector
2x Hex socket head cap screws	1x Manual
2x Philips flat head screws	

Note: Not all parts will be used in every installation.

Specifications:

Model	SD-998C-NUQ	
Operating voltage	12/24 VDC	
Current draw	12VDC	540mA
	24VDC	270mA
Operating temperature	14°~113° F (-10°~45° C)	
Operating humidity	0~95%	
Static strength	1,500 lbs. (680kg)	
Dynamic strength	70 ft.-lbs. (9.68 m-kgs)	
Endurance	250,000 cycles (UL Tested)	
Dimensions	8"x1 $\frac{3}{4}$ "x $\frac{3}{4}$ " (203x45x19 mm)	

Overview:

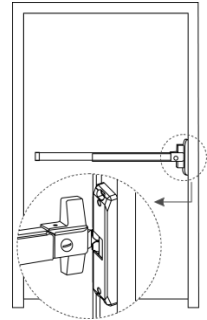
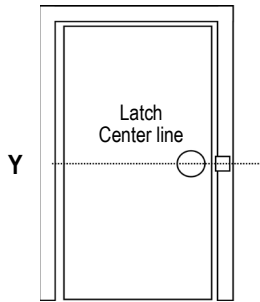
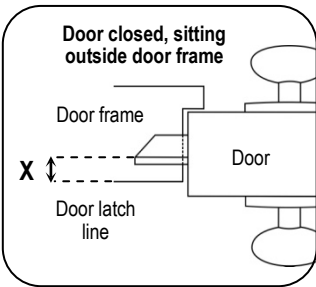
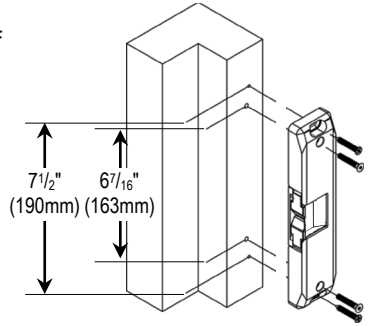


Installation:

1. Measure and mark the door latch line and the center line of the door. See "Surface Mount Installation", below.
2. Prepare the door frame for installation.
3. Set either fail-safe or fail-secure operation. See "Selecting Fail-Secure/Fail-Safe," below.
4. Connect to power. See "Wiring Diagram," page 4.

Surface Mount Installation:

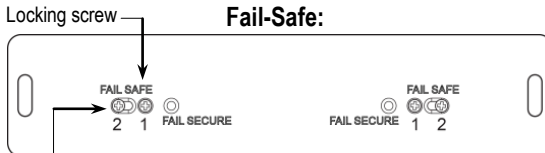
1. Measure the center line of the latch, labeled "Y".
2. Measure the distance from the door latch to the edge of the door frame. This is the door latch line, labeled "X".
3. Measure distance "X" from the side of the door frame, and distance "Y" from the top of the door frame. Use a pencil to mark the exact spot where the two lines intersect.
4. From this mark, measure up and down $3\frac{3}{4}$ " (95mm) and $3\frac{7}{32}$ " (82mm) to mark the 4 holes to drill. Mount the blind nuts in the top and bottom holes. Drill the middle holes to accept the Philips flat-head screws.
5. Make the wire connections and then mount the strike to the frame with the hex socket head cap screws and the Philips flat-head screws.



Selecting Fail-Safe/Fail-Secure:

Factory default: Fail-secure

1. Remove locking screw #1, loosen, slide and tighten sliding screw #2. Reinsert and tighten locking screw #1 to the desired fail-safe or fail-secure setting.

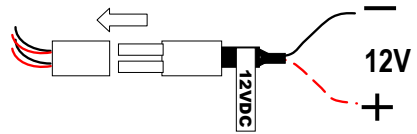


ENFORCER Surface-Mount Electric Rim Strike

Wiring Diagram:

For 12VDC operation:

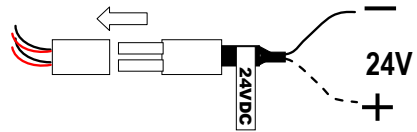
1. Use the included wiring connector marked 12VDC.
2. Plug the male wiring connector into the female wiring harness connector of the door strike.



Black Wire
Red Wire
White Wire

For 24VDC operation:

1. Use the included wiring connector marked 24VDC.
2. Plug the male wiring connector into the female wiring harness connector of the door strike.



Troubleshooting:

Electric strike does not activate

- Dismount the strike and check that the wiring connector is connected properly.
- Ensure the wiring connector is connected to a 12 or 24VDC source.
- Use a multimeter to test that the strike is receiving the proper voltage and amperage. If it is not, it may be necessary to use heavier gauge wires, or increase the output of the power supply.
- Make sure the activation device (keypad or push-button switch) is working properly.

Door does not open when the electric strike is activated

- Check that the door latch is operating properly, and replace if necessary.
- The position of the electric strike may need to be adjusted by moving it or adding washers or shims.

Strike makes a buzzing sound

- Connect the strike to a DC power supply.

WARRANTY: This SECO-LARM product is warranted against defects in material and workmanship while used in normal service for five (5) years from the date of sale to the original customer. SECO-LARM's obligation is limited to the repair or replacement of any defective part if the unit is returned, transportation prepaid, to SECO-LARM. This Warranty is void if damage is caused by or attributed to acts of God, physical or electrical misuse or abuse, neglect, repair or alteration, improper or abnormal usage, or faulty installation, or if for any other reason SECO-LARM determines that such equipment is not operating properly as a result of causes other than defects in material and workmanship. The sole obligation of SECO-LARM and the purchaser's exclusive remedy, shall be limited to the replacement or repair only, at SECO-LARM's option. In no event shall SECO-LARM be liable for any special, collateral, incidental, or consequential personal or property damage of any kind to the purchaser or anyone else.

NOTICE: The SECO-LARM policy is one of continual development and improvement. For that reason, SECO-LARM reserves the right to change specifications without notice. SECO-LARM is also not responsible for misprints.

Copyright © 2016 SECO-LARM U.S.A., Inc. All rights reserved. This material may not be reproduced or copied, in whole or in part, without the written permission of SECO-LARM.

SECO-LARM® U.S.A., Inc.

16842 Millikan Avenue, Irvine, CA 92606
Phone: (949) 261-2999 | (800) 662-0800

Website: www.seco-larm.com
Email: sales@seco-larm.com

 PITGW1

SD-998C-NUQ_160930.docx