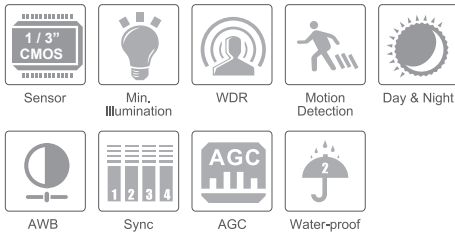


# TVI-IRB2M10HVFWDW550

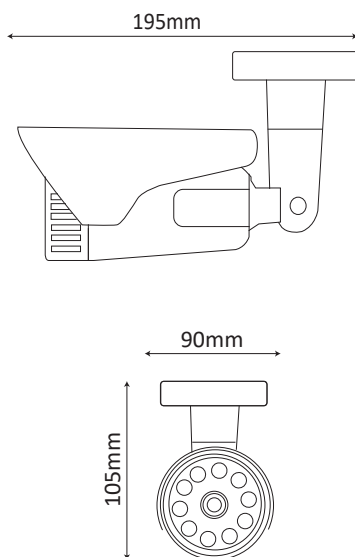
## 1080P HD-TVI WDR IR Bullet Camera



### Key Features

- 1/3" Progressive Scan CMOS
- WDR, 2D DNR
- IR Distance: 70 ~ 100m
- HD-TVI / CVBS Video Output
- 10 Super IR
- 5 ~ 50mm Vari-Focal Lens
- 12V DC / PoE

### Dimensions



### Specifications

Model	TVI-IRB2M10HVFWDW550
<b>Camera</b>	
Image Sensor	1/3" 2.47MP Sony Exmor Sensor
Effective Pixels	1944 (H) x 1092 (V)
Electronic Shutter	1/60s ~ 1/100,000s; Shutter Speed (Auto, FLK, Manual)
Mini. Illumination	Color: 0.1Lux / B&W: 0.5Lux; Color DSS 0.017Lux, BW DSS: 0.0008Lux
Video Output	HD-TVI (1080P) / CVBS
Video Frame Rate	1080P @ 30fps
Analog Display	More than 750TVL
<b>Camera Features</b>	
IR LEDs	10 Super IR
IR LEDs Distance	230ft ~ 328ft (70 ~ 100m)
Day / Night	Auto (ICR) / Color / B&W / Extern
Noise Reduction	Off / Low / Middle / High
Wide Dynamic Range	Yes
BLC & HLC	Supports
OSD Menu	Yes. (PTZ Function)
<b>Lens</b>	
Focal Lens	5 ~ 50mm Vari-Focal Lens
<b>General</b>	
Power Supply	DC 12V ± 10%
Power Consumption	1000mA
Working Environment	14°F ~ 113°F (-10°C ~ 45°C)
Dimensions	9.4"(L) x 4.6"(W) x 6.1"(H) (250 x 118 x 155mm)
Weight	2.4lbs (1.08kg)

Design and specifications are subject to change without notice.

www.EasternCCTV.com

#### Headquarters

50 Commercial St.,  
Plainview, NY 11803

TEL: 516-870-3779 FAX: 516-390-1200

#### Queens, NY

129-04 14th Ave.,  
College Point, NY 11356

TEL: 718-939-2710 FAX: 718-939-2713

#### E. Los Angeles, CA

110 California Ave.,  
City of Industry, CA, 91744

TEL: 626-961-8810 FAX: 626-961-8809

#### N. Hollywood, CA

13761 Saticoy St.  
Panorama City, CA 91402

TEL: 818-924-9021 FAX: 818-849-5127

#### Miami, FL

4515 NW 72nd Ave.  
Miami, FL 33166

TEL: 305-423-1329 FAX: 786-717-7282

#### Houston, TX

3790 Westchase Dr.,  
Houston, TX 77042

TEL: 832-308-5282 FAX: 832-925-7454