

TVI-PT9020-IR-10X

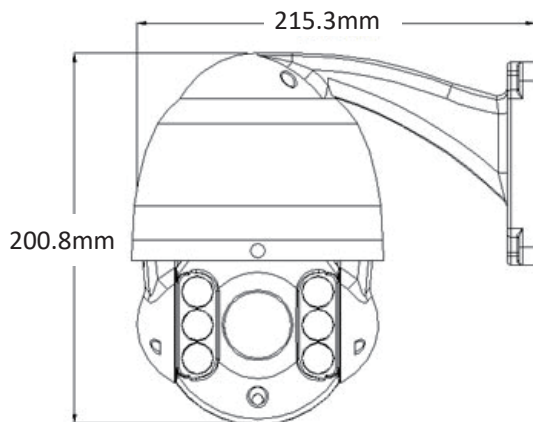
1080P HD-TVI 10X Zoom PTZ Camera



Key Features

- Powerful 10X optical zoom
- 1/3" 2 MP Exmor CMOS
- HD-TVI Lossless video output
- Max.25/30fps@1080p resolution
- DWDR, Day/Night(ICR), DNR (2D&3D),Auto iris, Auto focus, AWB, AGC,BLC
- OSD menu with humanized design, easy for operation
- Max 200°/s pan speed, 360° endless rotation
- Up to 128 presets, 4 auto scan, 4 tour, 4 pattern, clock functions
- AC24V/DC 24V, IP66
- New array IR LEDs up to 60m, constant control, lower consumption and longer works life for IR lights

Dimensions



Specifications

Sensors	1/3" 2Mp Exmor CMOS
Interface	HD-TVI Lossless video output
Max Resolution	1920 x 1080p
Zoom	5-50mm 10X
Mini. Illumination	color:0.1Lux, W/B:0.01Lux,
WDR	DWDR
Frame	25/30 fps
OSD	Support
Communication	RS485 & Coaxial control support
Protocols	Pelco D/P self adaptor
Manual speed	Pan (0.2°~200°/s) Tilt (0.2°~100°/s)
Preset speed	200°/S
Rotation	Continuously 360°; tilt 0~90° with auto-flip
Speed Proportion	Human-oriented focal length/speed adaptation
Preset	128 preset, title can be edited
Auto-flip	Tilt down 90°, with auto-flip 180°
Scan	355° programmable, 4 scan
Pattern	4 patterns, time and speed can be set
Power up Action	Auto restore to previous PTZ and lens status after power failure
Idle Motion	Activate Preset / Pan / Scan / Tour / Pattern if there is no command in the specified period
Time task	Auto activation of Preset / Pan / Scan / Tour / Pattern by preset time
Display zone	8 programmable zones with titles
Sync Model	Internal
Decoder	Built-in
Video output	Female BNC
Baud rate (RS485)	2400 / 4800 / 9600 / 19200 bps
Temperature	-40°C ~ +60°C
Humidity	0~95% (Non-condensation)
Protection grade	IP66, 1500v lightning-proof, surge-proof
Power Supply	Dual DC 24V / AC 24V
Net weight	3kg
Dimensions	215.3 (W) x 200.8(H) (mm)

Design and specifications are subject to change without notice.

www.EasternCCTV.com

Headquarters

50 Commercial St.,
Plainview, NY 11803

TEL: 516-870-3779 FAX: 516-390-1200

Queens, NY

129-04 14th Ave.,
College Point, NY 11356

TEL: 718-939-2710 FAX: 718-939-2713

E. Los Angeles, CA

110 California Ave.,
City of Industry, CA, 91744

TEL: 626-961-8810 FAX: 626-961-8809

N. Hollywood, CA

13761 Saticoy St.
Panorama City, CA 91402

TEL: 818-924-9021 FAX: 818-849-5127

Miami, FL

4515 NW 72nd Ave.
Miami, FL 33166

TEL: 305-423-1329 FAX: 786-717-7282

Houston, TX

3790 Westchase Dr.,
Houston, TX 77042

TEL: 832-308-5282 FAX: 832-925-7454