

4-In-1 Camera (CVI/TVI/AHD/Analog) Infrared Bullet

- ▶ 2 Megapixel (1080P) HD
- ▶ Day & Night
- ▶ Weatherproof (Indoor/Outdoor)



CAMERA SPECIFICATIONS

Image Sensor	1/2.7" 2 Megapixel CMOS
Frame Rate	30fps @ 1080P
Signal System	NTSC
Horizontal Resolution	1920 (H) x 1080 (V)
IR LED	42 Pieces (850nm)
IR Distance	150ft Depending on Scene Reflectance
Minimum Illumination	0 Lux (with IRs ON)
Electronic Shutter Speed	1/60 ~ 1/30,000 Seconds (Auto)
S/N Ratio	More Than 50dB
Lens	2.8-12mm Vari-focal Lens
Day/Night	Auto (Built-in ICR)
Weatherproof Rating	IP66
Video Output	1.0Vp-p, 75Ω Composite BNC
Power Consumption	Less Than 4 Watts
Power Supply	DC 12 Volt ± 10%
Camera Dimensions	3.19" (Max Height) x 11.1" (Max Length)

WARNING

CAUTION

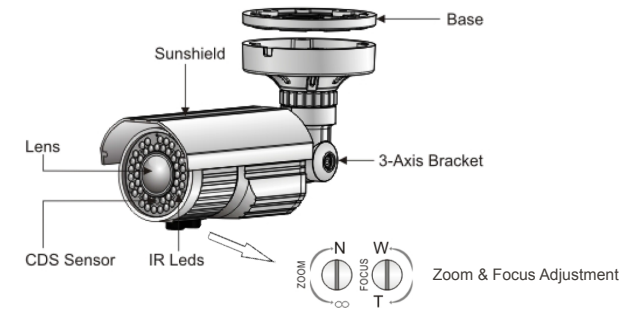
RISK OF ELECTRIC SHOCK
DO NOT OPEN!

TO REDUCE THE RISK OF ELECTRICAL SHOCK,
DO NOT OPEN COVERS (OR BACK).
NO USER SERVICEABLE PARTS INSIDE.
REFER SERVICING TO QUALIFIED
SERVICE PERSONNEL.

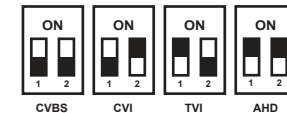
INDIVIDUAL WARNING

- ▶ Do not attempt to service this video product by yourself, as taking apart the camera may expose you to dangerous voltage or other hazards.
- ▶ Please comply with all electrical safety standards during installation and operation.
- ▶ In order to prevent damage caused by fire or electrical shock, please do not submerge camera in water or expose any open parts to liquid.
- ▶ Do not expose the lens directly to the sun or to strong light as this may damage the image sensor.
- ▶ There are some sophisticated parts inside this camera, therefore always handle with care in order to avoid any internal damages to the camera.
- ▶ Make sure to use the appropriate power supply and that the power is plugged into the camera correctly and securely. Do not switch on power until after the camera connection is complete.

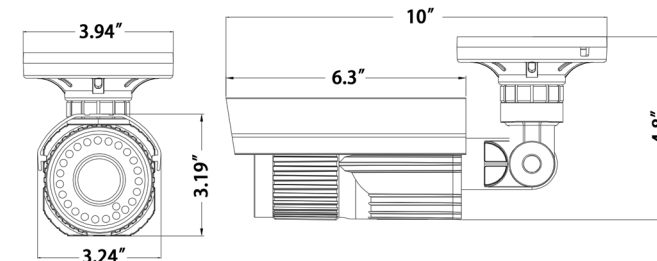
MOUNTING GUIDE



Output Control: (Black spot is position of dip switch.)



CAMERA DIMENSIONS



TROUBLESHOOTING TIPS

NO VIDEO OUTPUT:

- ▶ Check the power cable to the power box or wall outlet. Make sure the **power connections are secure**.
- ▶ If you are using a multiple output power box, make sure **the power switch is in the "ON" position and that all fuses are illuminated**.
- ▶ If you are using a multiple output power box, make sure **the POSITIVE (+) and NEGATIVE (-) wires are properly connected**.
- ▶ Check the BNC video cable running from the camera to the video input on the DVR or display. If you are using pre-made cable, make sure **the BNC connectors are secure**. If you are using a spool of cable (RG59), make sure **the outer copper wire is not touching the center pin** when fitting the cable ends with BNC connectors.